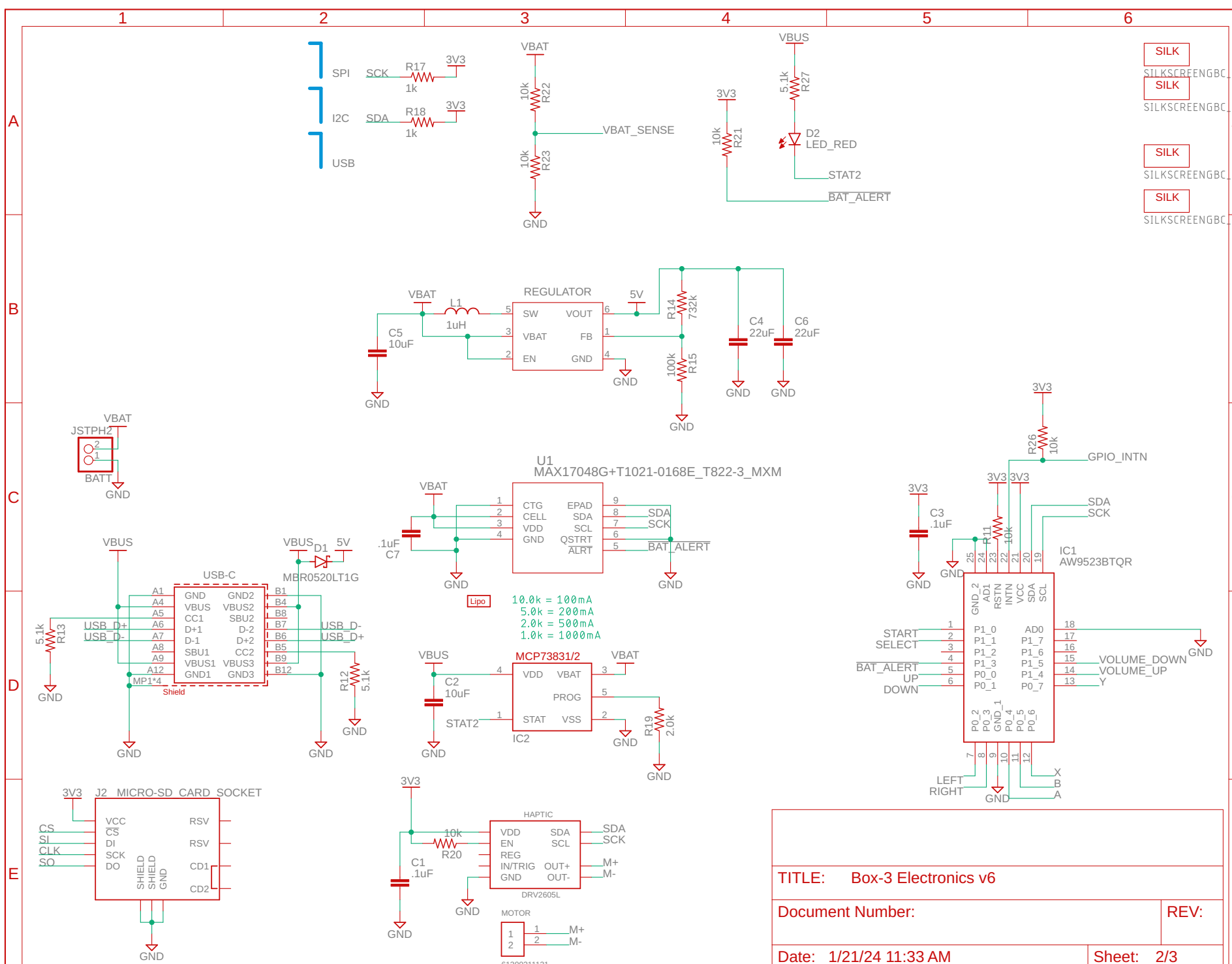


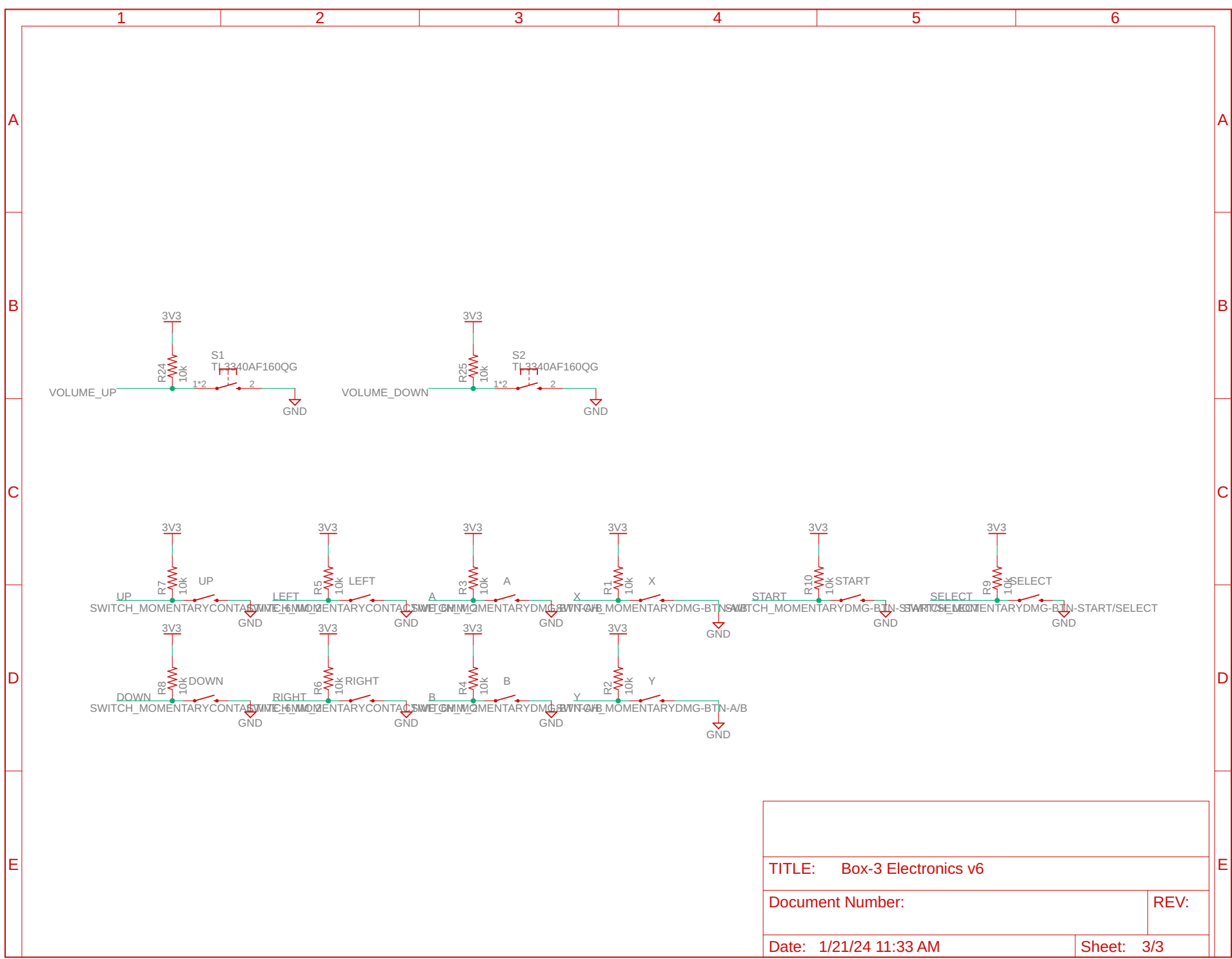
TITLE: Box-3 Electronics v6	
Document Number:	REV:
Date: 1/21/24 11:33 AM	Sheet: 1/3



SILK
SILKSCREENENGBC_ID+PAD
SILK
SILKSCREENENGBC_START/SELECT
SILK
SILKSCREENENGBC_A/B
SILK
SILKSCREENENGBC_A/B

TITLE: Box-3 Electronics v6	
Document Number:	REV:
Date: 1/21/24 11:33 AM	Sheet: 2/3

61300211121



TITLE: Box-3 Electronics v6	
Document Number:	REV:
Date: 1/21/24 11:33 AM	Sheet: 3/3