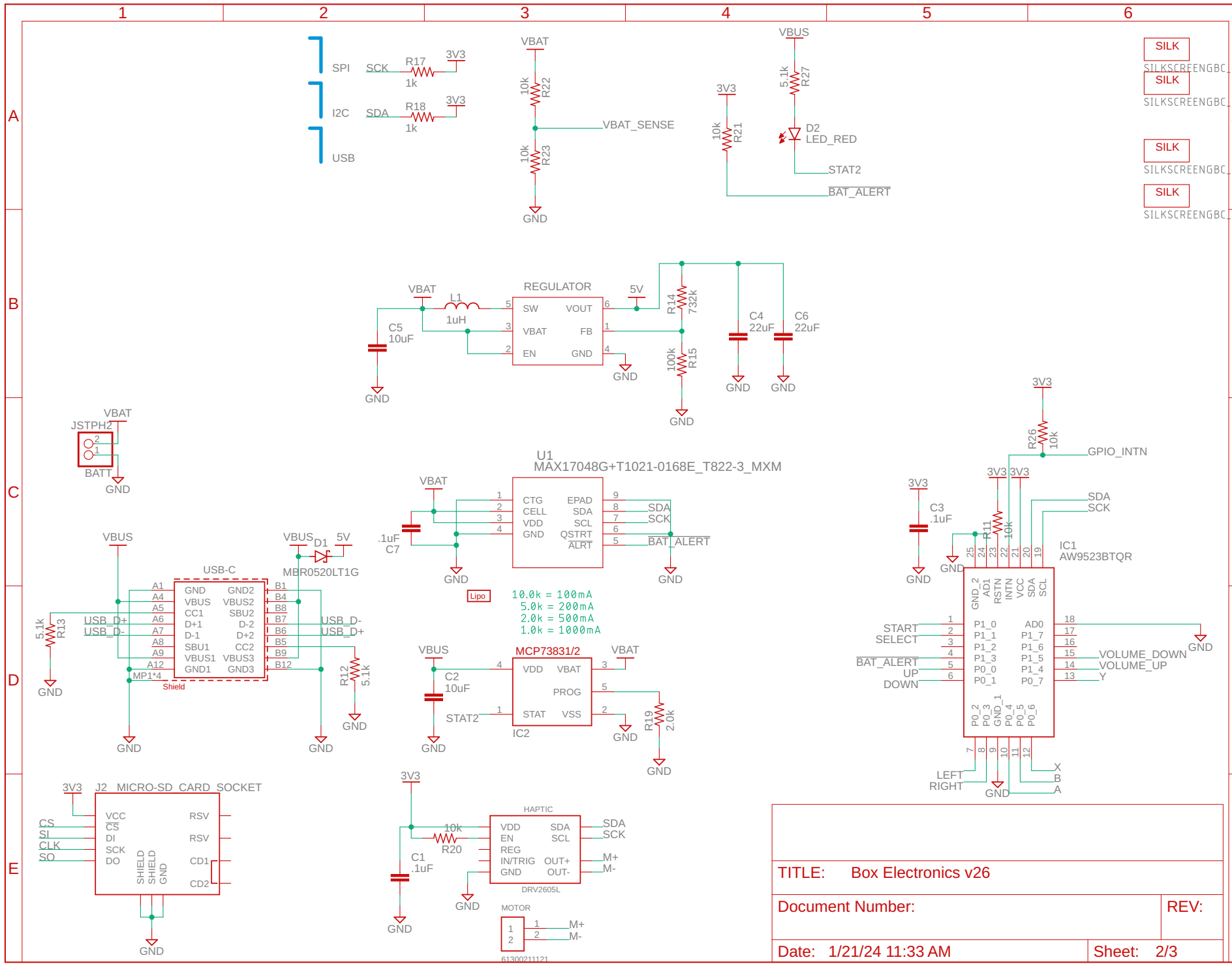


TITLE: Box Electronics v26	
Document Number:	REV:
Date: 1/21/24 11:33 AM	Sheet: 1/3



A

B

C

D

E

A

B

C

D

E

1

2

3

4

5

6

A

A

B

B

C

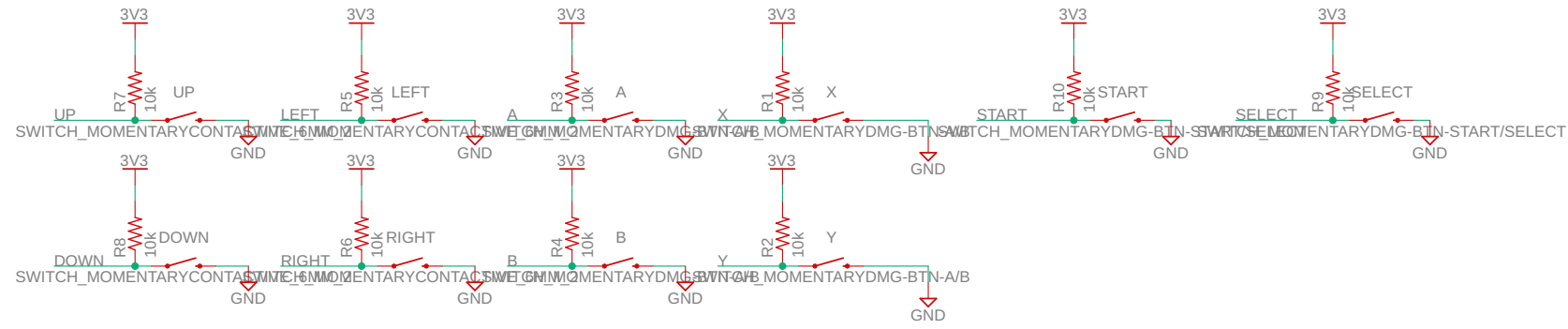
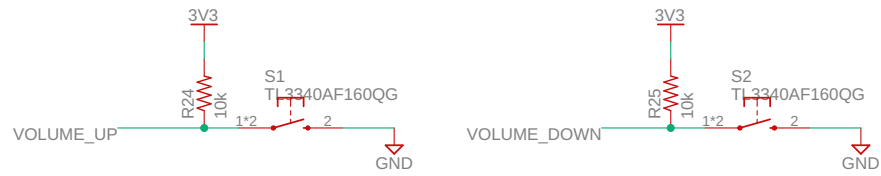
C

D

D

E

E



TITLE: Box Electronics v26	
Document Number:	REV:
Date: 1/21/24 11:33 AM	Sheet: 3/3